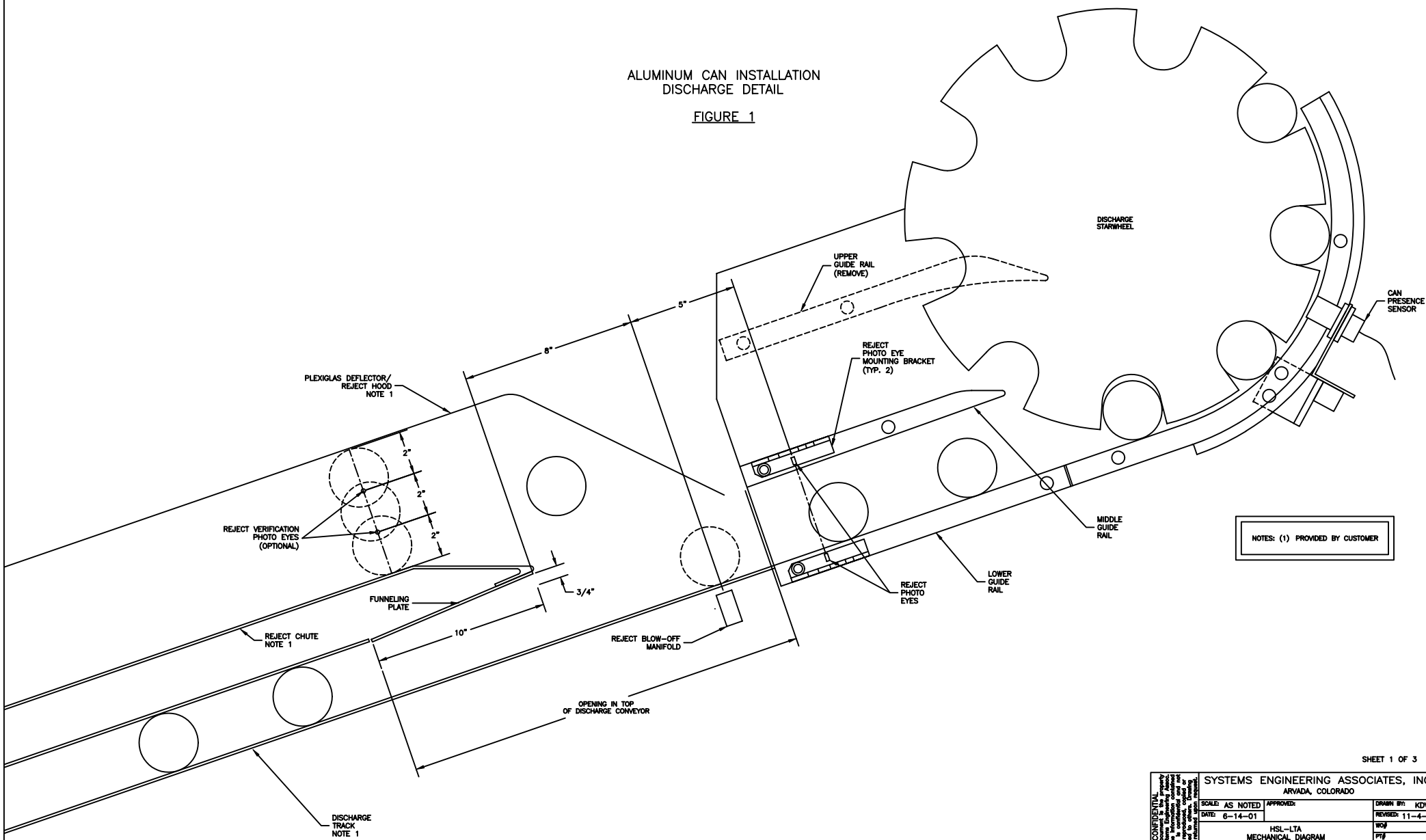
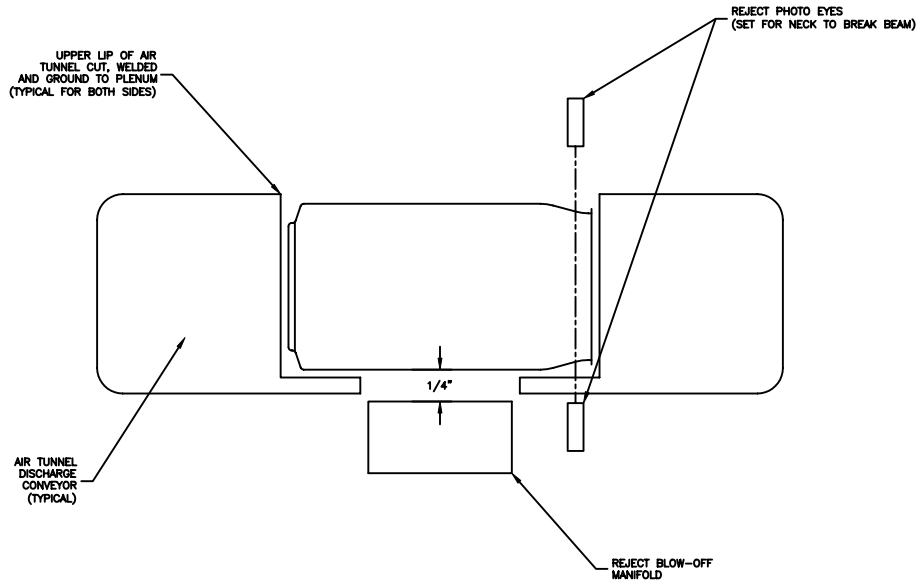


ALUMINUM CAN INSTALLATION
DISCHARGE DETAIL

FIGURE 1

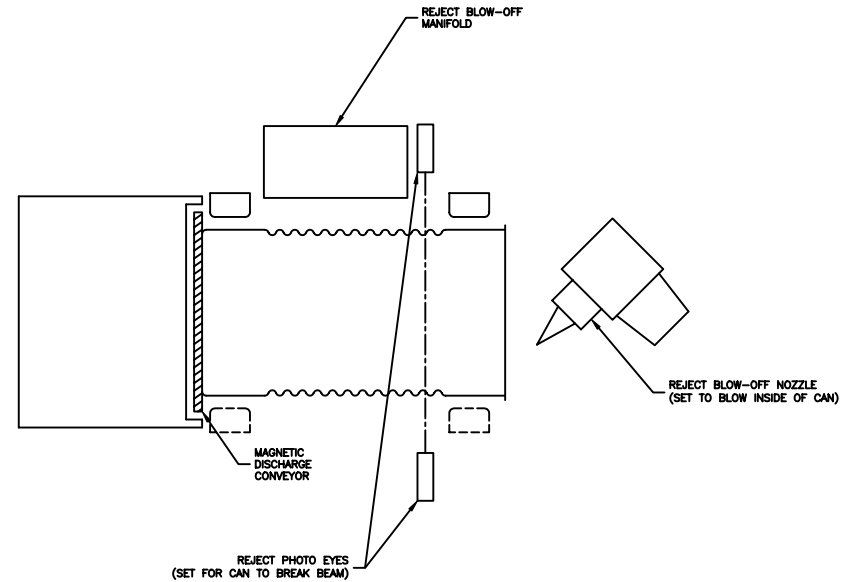


CONFIDENTIAL This document contains proprietary information of Systems Electronics Group, Inc. It is to be used only for the purposes intended and is not to be distributed, copied, or otherwise made available to any other person without the express written consent of Systems Electronics Group, Inc.	SYSTEMS ENGINEERING ASSOCIATES, INC. ARVADA, COLORADO		DRAWN BY: KDV
	SCALE: AS NOTED	APPROVED:	REVISED: 11-4-03
	DATE: 6-14-01	HSL-LTA	WOF
	MECHANICAL DIAGRAM		DRAWING NUMBER 14-4706-17
SYSTEMS ELECTRONICS GROUP			DRAWING NUMBER 14-4706-17



ALUMINUM CAN INSTALLATION
DISCHARGE DETAIL

FIGURE 2



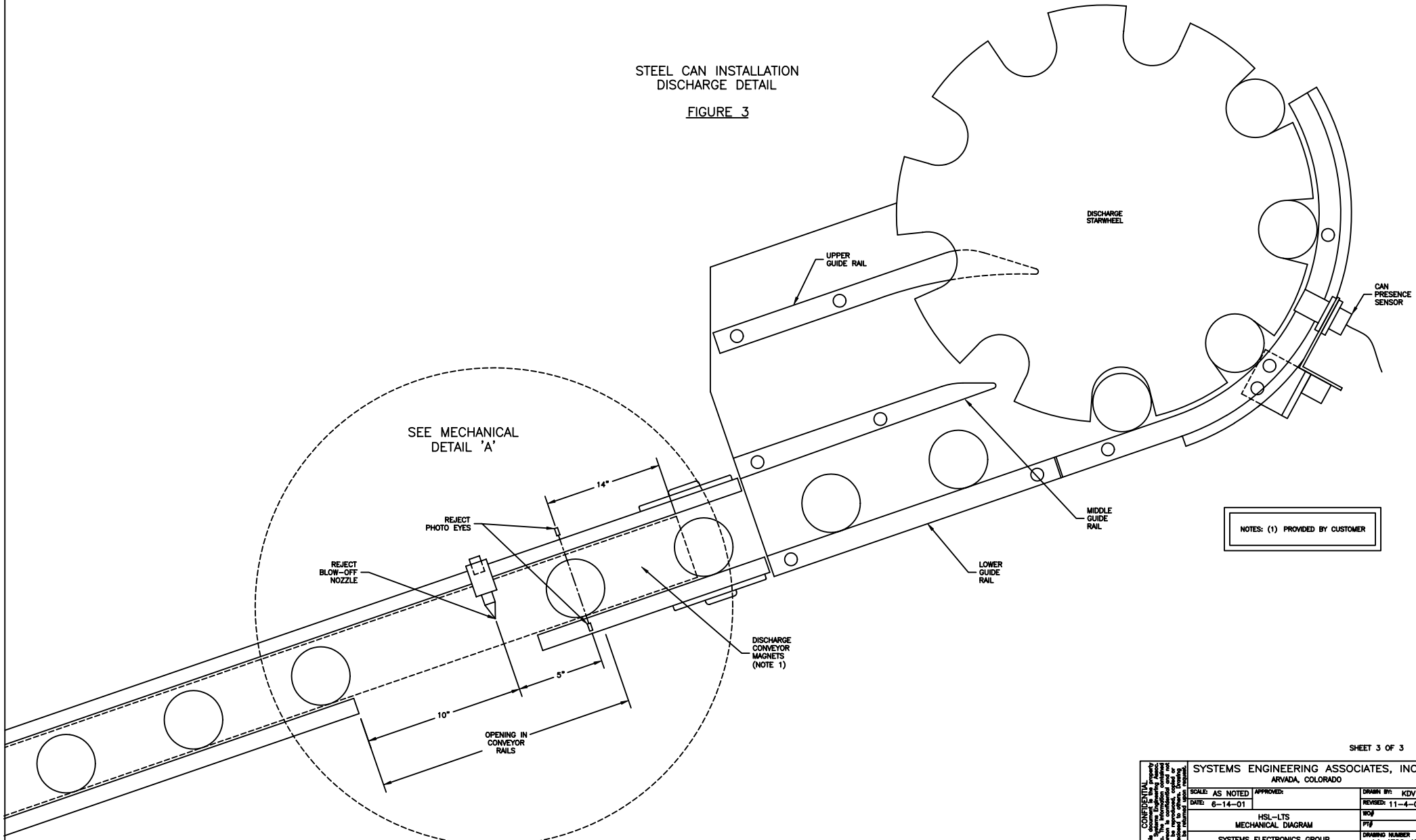
STEEL CAN INSTALLATION
DISCHARGE DETAIL

FIGURE 4

CONFIDENTIAL This document contains information that is confidential and its disclosure is prohibited.	SYSTEMS ENGINEERING ASSOCIATES, INC. ARVADA, COLORADO		
	SCALE: AS NOTED DATE: 6-14-01	APPROVED:	DRAWN BY: KDV REVISED: 11-4-03
	HSL-LTA/LTS MECHANICAL DIAGRAM		WOF PTF
	SYSTEMS ELECTRONICS GROUP		DRAWING NUMBER 14-4706-17

STEEL CAN INSTALLATION
DISCHARGE DETAIL

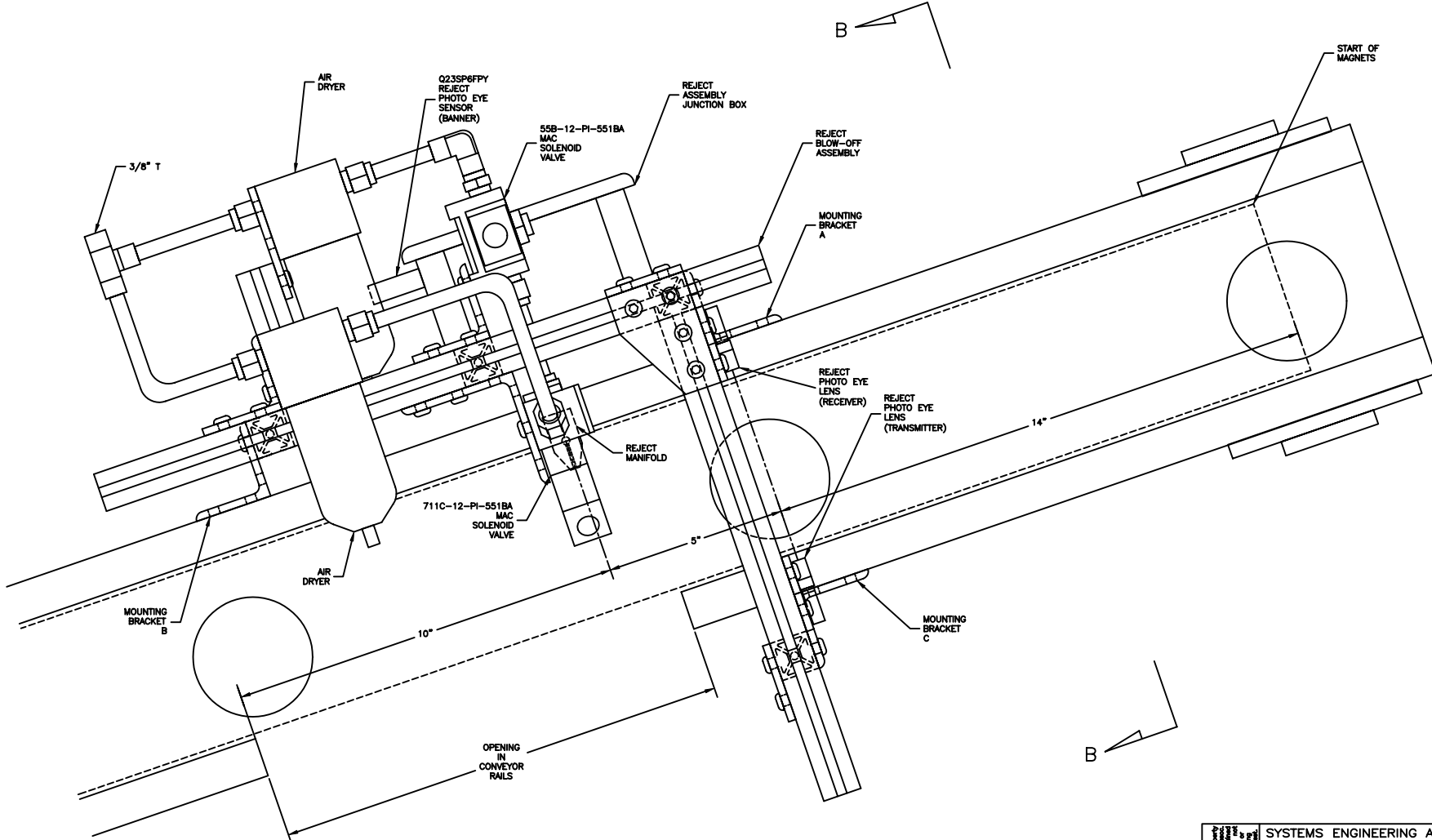
FIGURE 3



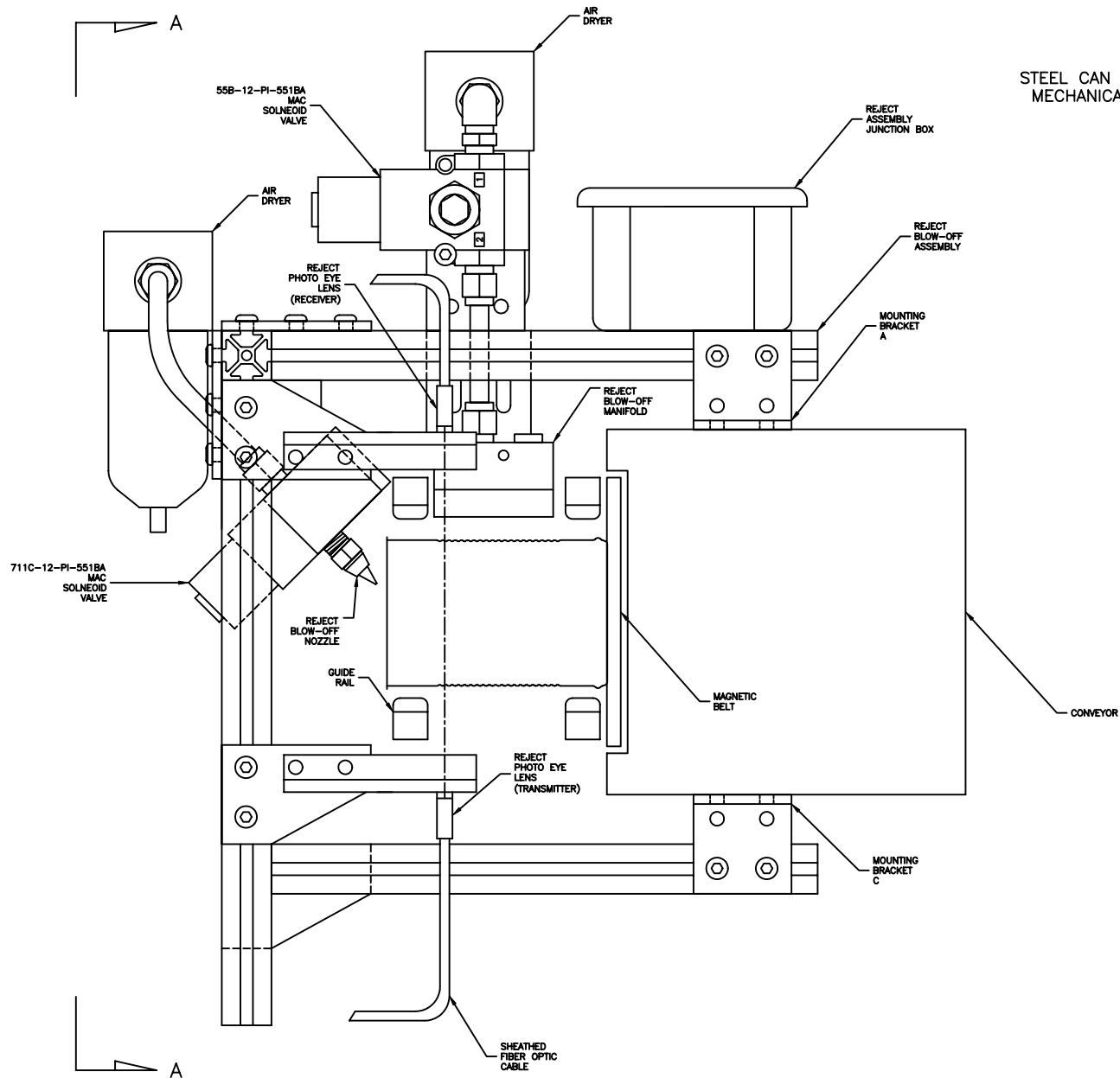
NOTES: (1) PROVIDED BY CUSTOMER

CONFIDENTIAL This document contains information that is confidential and proprietary to Systems Electronics Group. It is to be used only for the purposes intended and is not to be distributed, copied, or otherwise made available to unauthorized persons.	SYSTEMS ENGINEERING ASSOCIATES, INC.		DRAWN BY: KDV
	ARVADA, COLORADO		REVISED: 11-4-03
	SCALE: AS NOTED	APPROVED:	WOJ
	DATE: 6-14-01		PTB
	HSL-LTS MECHANICAL DIAGRAM		DRAWING NUMBER 14-4706-17
SYSTEMS ELECTRONICS GROUP			

STEEL CAN INSTALLATION
MECHANICAL DETAIL A



CONFIDENTIAL This document contains proprietary information of Systems Electronics Group. It is to be used only for the purposes intended and is not to be distributed, copied, or otherwise disclosed without the written consent of Systems Electronics Group.	SYSTEMS ENGINEERING ASSOCIATES, INC. ARVADA, COLORADO		
	SCALE: AS NOTED	APPROVED:	DRAWN BY: KDV
	DATE: 11-3-03	HSL-LTS	REVISED: 11-4-03
	MECHANICAL DETAIL		WOF
	SYSTEMS ELECTRONICS GROUP		DRAWING NUMBER 14-4706-18



STEEL CAN INSTALLATION
MECHANICAL DETAIL B

CONFIDENTIAL This document contains information that is the property of Systems Electronics Group, Inc. It is to be controlled and its use is to be restricted to those authorized by the company.	SYSTEMS ENGINEERING ASSOCIATES, INC. ARVADA, COLORADO		DRAWN BY: KDV
	SCALE: AS NOTED	APPROVED:	REVISED: 11-4-03
	DATE: 11-3-03	HSL-LTS MECHANICAL DETAIL	WOF
	SYSTEMS ELECTRONICS GROUP		DRAWING NUMBER 14-4706-18